

Environment/
Efficiency/
Economy



HANGCHA

ZHEJIANG HANGCHA IMP. & EXP. CO., LTD.

Factory site: No. 88, Donghuan Rd., Lin'an Economic Development Zone, Zhejiang, China (311305)

Tel: +86-571-88926735 88926755
Fax: +86-571-88132890 88926789

sales@hcforklift.com
www.hcforklift.com



HANGCHA trucks conform to the European Safety Requirements.

HANGCHA GROUP CO., LTD. reserves the right to make any changes without notice concerning colors, equipment, or specifications detailed in this brochure, or to discontinue individual models. The colors of trucks, delivered may differ slightly from those in brochures.



2017 VERSION 1/COPYRIGHT 2017.7/11



R Series Diesel Counterbalanced Trucks

with capacities of 8,000 to 10,000kg

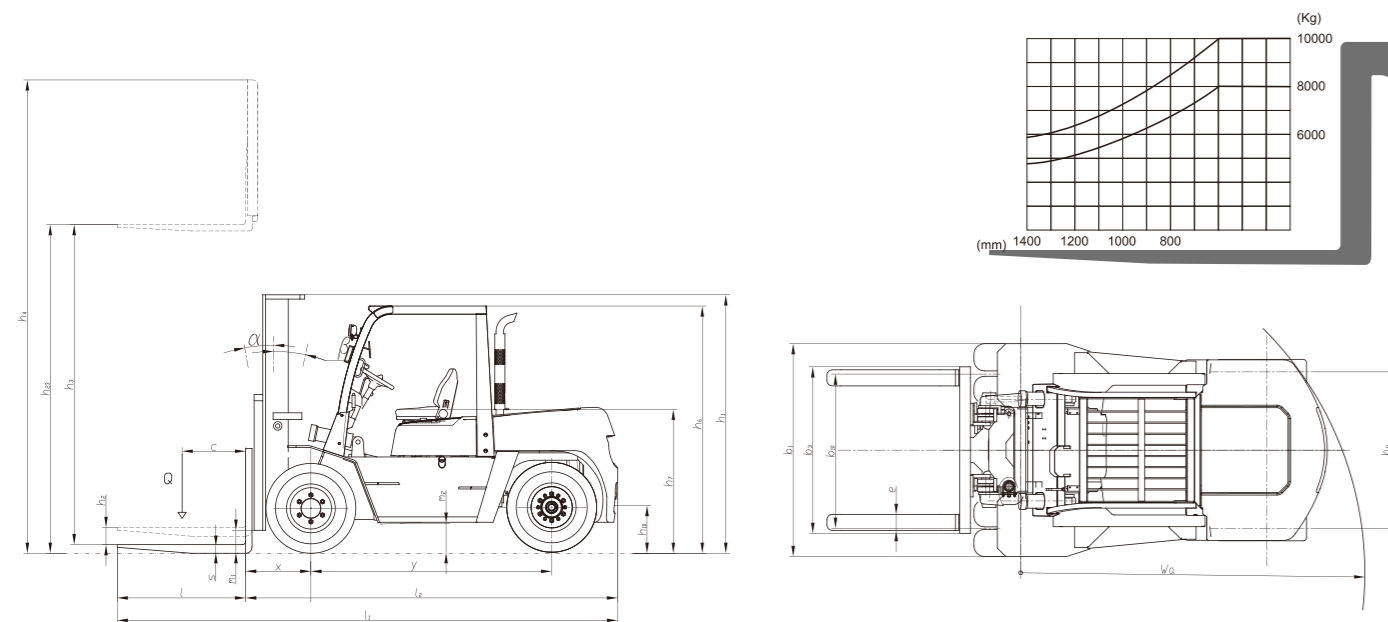
The World of Hangcha



HANGCHA

R series 8.0-10t forklift specification

Distinguishing mark	HANGCHA GROUP CO.,LTD.									
	1.1 Manufacturer	CPCD80-RG17	CPCD80-Rw14	CPCD80-Rw41	CPCD80-Rw28	CPCD100-RG17	CPCD100-Rw14	CPCD100-Rw41	CPCD100-Rw28	
1.2 Manufacturer's type designation	Diesel									
1.3 Drive: electric (battery or mains), diesel, petrol, fuel gas	Diesel									
1.4 Operator type: hand, pedestrian, standing, seated, order-picker	Seat									
1.5 Load capacity/rated load	Q (kg)	8000	8000	8000	8000	10000	10000	10000	10000	
1.6 Load centre distance	c(mm)	600	600	600	600	600	600	600	600	
1.8 Load distance, centre of drive axle to fork	x(mm)	705	705	705	705	730	730	730	730	
1.9 Wheelbase	y(mm)	2500	2500	2500	2500	2800	2800	2800	2800	
2.1 Service weight	kg	11300	11300	11300	11300	13000	13000	13000	13000	
2.2 Axle loading, laden front/rear	kg	17720/1580	17720/1580	17720/1580	17720/1580	21300/1700	21300/1700	21300/1700	21300/1700	
2.3 Axle loading, unladen front/rear	kg	5460/5840	5460/5840	5460/5840	5460/5840	6230/6770	6230/6770	6230/6770	6230/6770	
3.1 Tyres: solid rubber, superelastic, pneumatic, polyurethane	pneumatic									
3.2 Tyre size, front	9.00-20-14PR									
3.3 Tyre size, rear	9.00-20-14PR									
3.5 Wheels, number front rear (x = driven wheels)	4x/2									
3.6 Tread, front	b ₁₀ (mm)	1600	1600	1600	1600	1600	1600	1600	1600	
3.7 Tread, rear	b ₁₁ (mm)	1700	1700	1700	1700	1700	1700	1700	1700	
4.1 Tilt of mast/fork carriage forward/backward	α/β(°)	6/12	6/12	6/12	6/12	6/12	6/12	6/12	6/12	
4.2 Height, mast lowered	h ₁ (mm)	2700	2700	2700	2700	2850	2850	2850	2850	
4.3 Free lift	h ₂ (mm)	200	200	200	200	200	200	200	200	
4.4 Lift	h ₃ (mm)	3000	3000	3000	3000	3000	3000	3000	3000	
4.5 Height, mast extended	h ₄ (mm)	4210	4210	4210	4210	4555	4555	4555	4555	
4.7 Height of overhead guard	h ₅ (mm)	2540	2540	2540	2540	2540	2540	2540	2540	
4.8 Seat height	h ₇ (mm)	1480	1480	1480	1480	1480	1480	1480	1480	
4.12 Coupling height	h ₁₀ (mm)	530	530	530	530	530	530	530	530	
4.19 Overall length	l ₁ (mm)	5395	5395	5395	5395	5735	5735	5735	5735	
4.20 Length to face of forks	l ₂ (mm)	3895	3895	3895	3895	4235	4235	4235	4235	
4.21 Overall width	b ₁ (mm)	2165	2165	2165	2165	2165	2165	2165	2165	
4.22 Fork dimensions ISO 2331	s/e/l (mm)	75×160×1500	75×160×1500	75×160×1500	75×160×1500	80×160×1500	80×160×1500	80×160×1500	80×160×1500	
4.23 Fork carriage DIN 15173, class/type A, B	/									
4.24 Fork-carriage width	b ₂ (mm)	1950	1950	1950	1950	1950	1950	1950	1950	
4.31 Ground clearance, laden, below mast	m ₁ (mm)	250	250	250	250	250	250	250	250	
4.32 Ground clearance, centre of wheelbase	m ₂ (mm)	380	380	380	380	380	380	380	380	
4.35 Turning radius	Wa (mm)	3690	3690	3690	3690	4050	4050	4050	4050	
5.1 Travel speed, laden/unladen	km/h	-/26	-/26	-/26	-/26	-/26	-/26	-/28	-/24	
5.2 Lift speed, laden/unladen	m/s	0.380/-	0.380/-	0.380/-	0.380/-	0.330/-	0.330/-	0.330/-	0.330/-	
5.3 Lowering speed, laden/unladen	m/s	0.450/-	0.450/-	0.450/-	0.450/-	0.450/-	0.450/-	0.450/-	0.450/-	
5.7 Gradeability, laden/unladen	%	20/-	20/-	20/-	20/-	20/-	20/-	20/-	20/-	
5.10 Service brake	Hydraulic									
7.1 Engine manufacturer/type	CHINA/YC6B125		ISUZU/6BG1QP	ISUZU/BB-6BG1TRC	CUMMINS/QS84.5-C110	CHINA/YC6B125	ISUZU/6BG1QP	ISUZU/BB-6BG1TRC	CUMMINS/QS84.5-C110	
Emission standard	Stage II		Stage III A/Tier 3	Stage II		Stage III A/Tier 3	Stage II		Stage III A/Tier 3	
7.2 Engine power according to DIN ISO 1585	kW	92	84.6	97.7	82	92	84.6	97.7	82	
7.3 Rated speed	r/min	2200	2200	2200	2200	2200	2200	2200	2200	
7.4 Number of cylinders/displacement	(-)/(cm ³)	6/6471	6/6494	6/6494	4/4460	6/6871	6/6494	6/6494	4/4460	
10.1 Operating pressure for attachments	bar	195	195	195	195	195	195	195	195	
10.8 Towing coupling, type DIN 15170	Pin									



R series 8.0-10t forklift mast specification

Type	Model	Max. fork height	Overall height		Free lift	Tilt range		Capacity	
			Lowered	Extended Without		Without	FWD	RWD	Load capacity at 600mm Double tire
Wide view mast	8M	mm	mm	mm	mm	(°)	(°)	kg	
		2500	2450	3710	200	6	12	8000	
		2700	2550	3910	200	6	12	8000	
		3000	2700	4210	200	6	12	8000	
		3300	2850	4510	200	6	12	8000	
		3600	3000	4810	200	6	12	8000	
		4000	3200	5210	200	6	12	8000	
		4300	3400	5510	200	6	6	8000	
		4500	3500	5710	200	6	6	8000	
		4800	3650	6010	200	6	6	7600	
Wide view mast	10M	6000	4300	7240	200	3	6	6900	
		2500	2600	4055	200	6	12	10000	
		2700	2700	4255	200	6	12	10000	
		3000	2850	4555	200	6	12	10000	
		3300	3000	4855	200	6	12	10000	
		3600	3150	5155	200	6	12	10000	
		4000	3350	5555	200	6	12	10000	
		4300	3550	5855	200	6	6	10000	
		4500	3650	6055	200	6	6	10000	
		4800	3800	6355	200	6	6	9500	
Wide view Triplex mast	8BDN	6000	4200	6555	200	6	6	9500	
		5500	3900	7055	200	3	6	8500	
		6000	4450	7555	200	3	6	7500	
		4500	2750	5775	1485	6	6	7000	
		4800	2850	6075	1585	6	6	7000	
		5000	2950	6360	1600	6	6	7000	
		5500	3100	6810	1800	3	6	6500	
		6000	3250	7275	1985	3	6	6000	
		6500	3530	7840	2200	3	6	5500	
		7000	3700	8310	2400	3	6	4500	
Wide view Triplex mast	A100N	4500	2850	6055	1305	6	6	8000	
		4800	2950	6355	1405	6	6	7800	
		5000	3050	6555	1505	6	6	7500	
		5500	3200	7055	1655	3	6	7000	
		6000	3350	7555	1805	3	6	6000	
		6500	3630	8055	2085	3	6	5600	
		7000	3800	8555	2255	3	6	4900	

Frame

Vertical sides help the driver work safely with less damage, even in an area with low-level obstructions. Thick chassis plates resist distortion, reduce damage and minimise refurbishment costs. The wide mast, low scuttle and high seating position gives the operator an excellent view of the forks and of the way ahead-reducing load damage and accidents. Well positioned lights ensure optimum vision to both the front and back-essential in containers. Much attention has been given to the carriage design, with an integral fork positioner.



Non-slip Floor and Step

The wide-open step is not only convenient to access but safer thanks to anti-slip mats. To further improve safety in demanding work conditions, the floor board is constructed of embossed steel to reduce the possibility of slipping.



Easier Maintenance and Servicing

Along with the kind of engineering that promises unsurpassed performance and productivity in all applications, our forklifts are designed with many features that facilitate maintenance and servicing. For example, the wide-opening top panel and radiator cover are equipped with gas stays and convenient hand grips that enable quick access to the engine compartment.

Options

- / 2.5-6.0m duplex mast
- / Special carriage and backrest
- / Solid tyre
- / Cabin
- / Heater and air conditioner
- / Other dimension forks
- / Sideshifter
- / Other attachment
- / Fire extinguisher
- / Suspension seat
- / Dual air cleaner or special air cleaner
- / Rear working light
- / Customer painting

